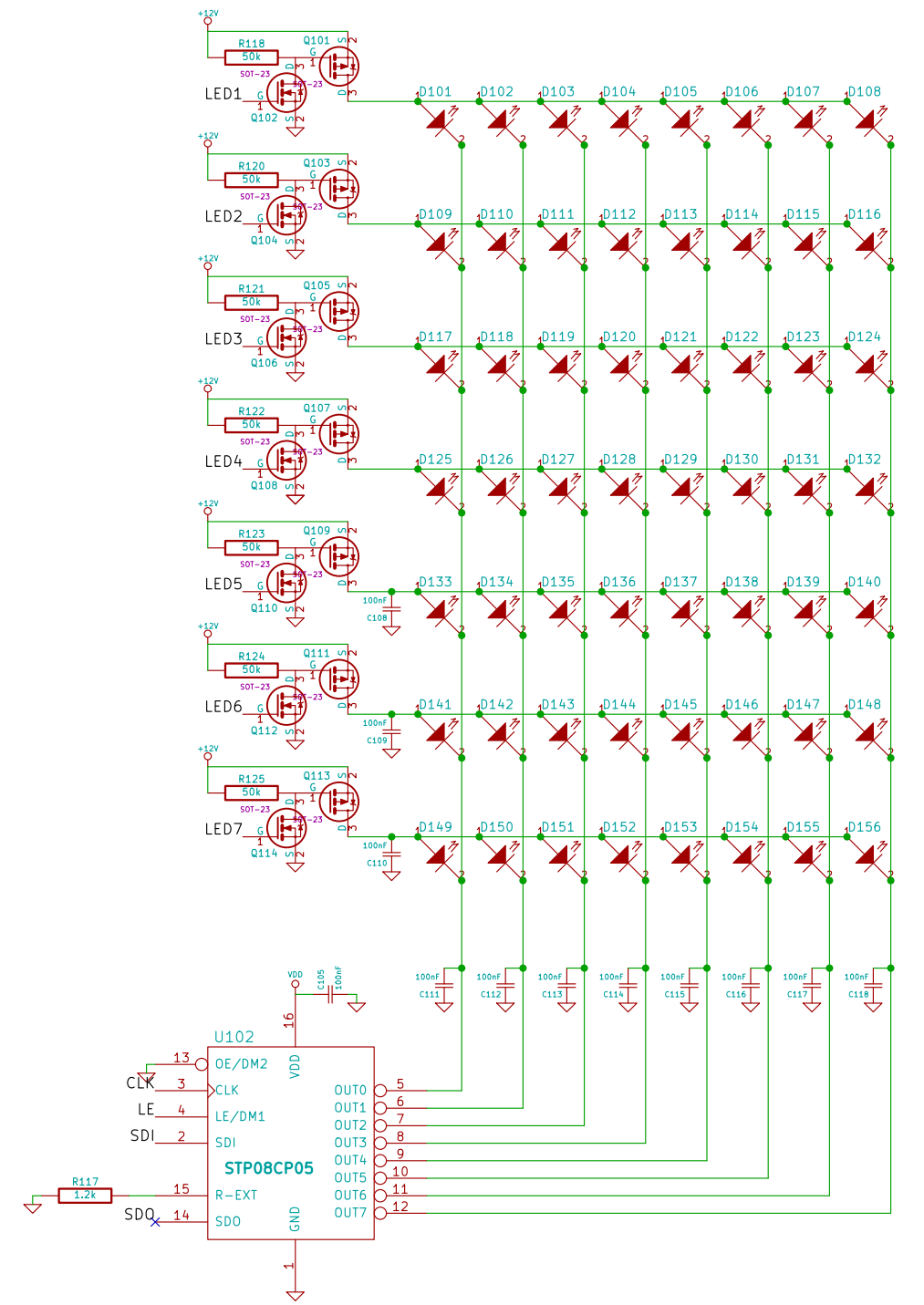
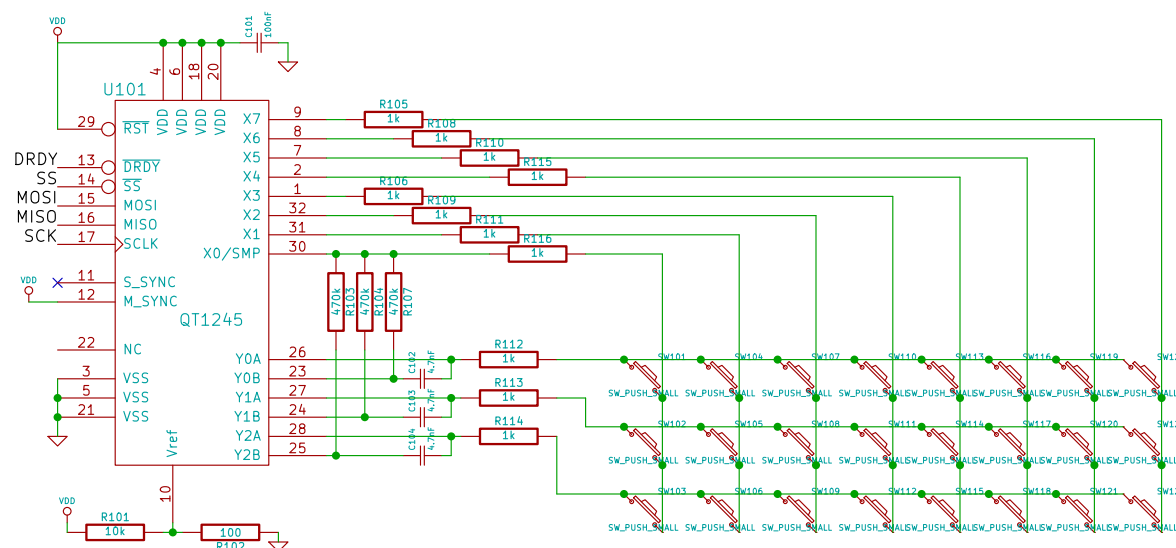
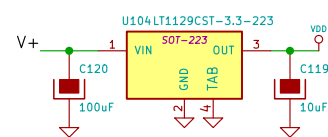
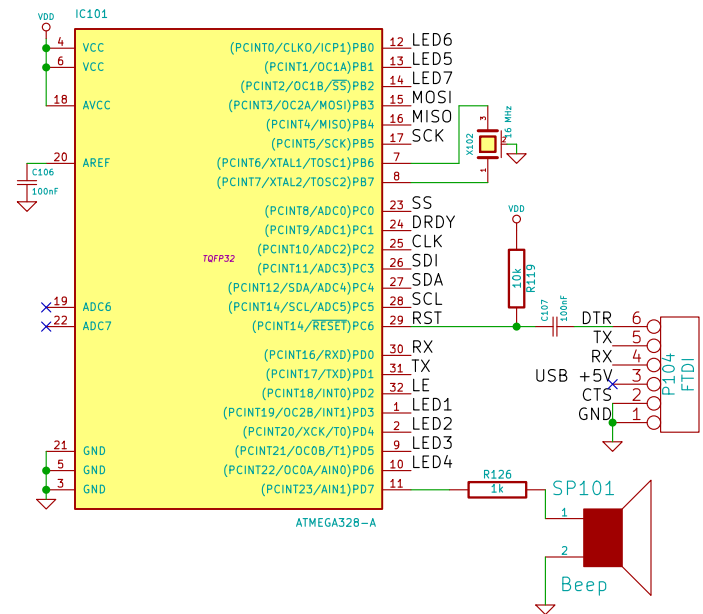
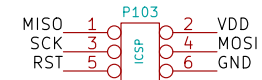
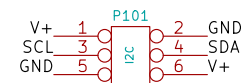


Real-Time Clock (optional)



- NOTES
1. V+ on the I2C input can be anything from 5V to 20V.
 2. The real-time clock is optional and, at most, goes on only one board of a series.
 3. U104 may be replaced with a 5V regulator.

File: fp-248.sch	
Sheet: /	
Title: Blinkenlights	
Size: USLedger	Date: 27 dec 2014
KiCad E.D.A.	Rev: 2.0
	Id: 1/1